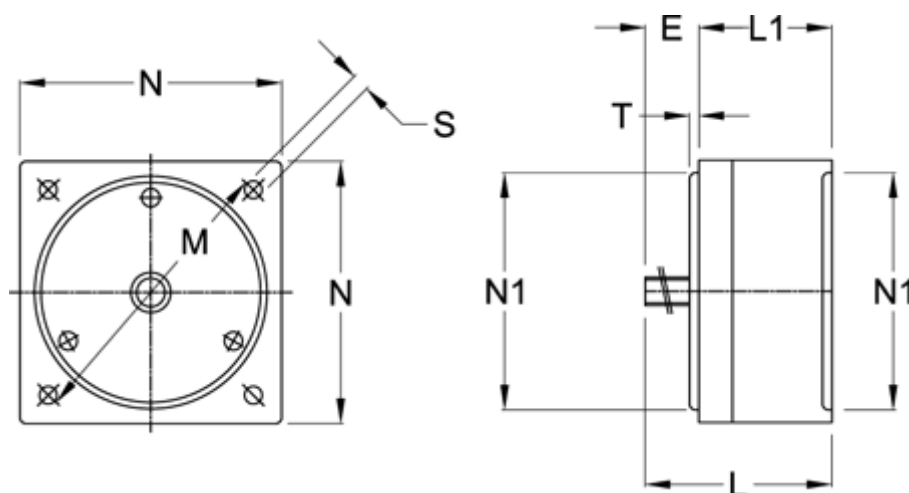


Article number: 72018010062

Description: Decimal Gear Head DDGN10B I=10
Pinion input

Measures



E = 12
L = 38
L1 = 26
M = 94
N = 80
N1 = 73
S = 4x \varnothing 5,5
T = 2